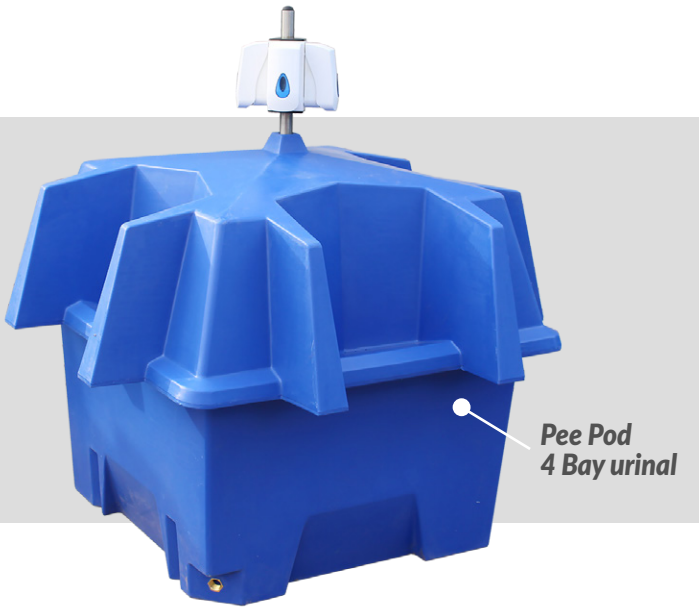




Pee Pod - Portable Urinal



Drawing on the event experience of our in-house experts, the **Pee Pod** is a free-standing, 4-bay urinal developed for use in the event and portable sanitation industries.

Linkable and practical

Our square-shaped **Pee Pods** allow four users at any one time and can be deployed as stand-alone units or can be linked together to increase volume. This flexible connectivity allows event organisers / operators to position the required number of urinals at strategic points around the event site to best cope with demand.

Intelligent design

The **Pee Pod** has been designed with both user and event operator in mind. Its moulded privacy fins preserve user modesty and, in many situations, **Pee Pods** can be used openly without the need for further cover. An additional lid-mounted screen is available, if required. At events, operators will typically position urinals in screened-off areas.

Technical Data*

- Volume 120 gallons / 550 litres
- Dry weight circa 66 lbs / 30 kg
- (H) 1200mm (W) 1320mm (D) 1320mm
- Made from durable polyethylene
- 2 x 1" outlets in base for linking kits
- Accessories available (see overleaf)

**We reserve the right to amend the technical specification to improve the product without prior notification.*

Operator benefits

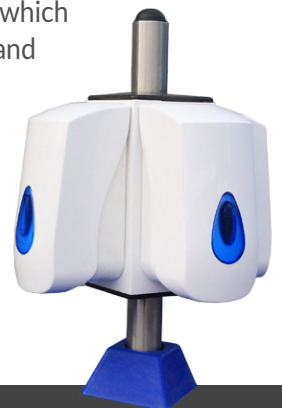
Pee Pods are a two-part, stackable design, saving space in transport and storage. Light enough to be handled by two people, set up is simple and takes seconds. When connected, the waste level evens out across all linked **Pee Pods**: operators only need to section off one unit for the emptying service whilst all other units remain in use.

Event Organiser benefits

Pee Pods make superb economic sense. Cost-effective to transport to the event and position on site, in many situations the use of **Pee Pods** will free up and reduce queues for portable toilets.

Accessories: Pee Pod Pole - Hand Sanitiser Unit

Further enhance the user experience by selecting the optional **Pee Pod Pole**, which features 4 x 400ml dispensers for hand sanitising fluid (foam soap version also available). Mounted on a 6' 7" (200cm) tall stainless-steel pole and conveniently positioned in the centre of the **Pee Pod**, there's also space for a sign or flag to display your marketing message or brand.

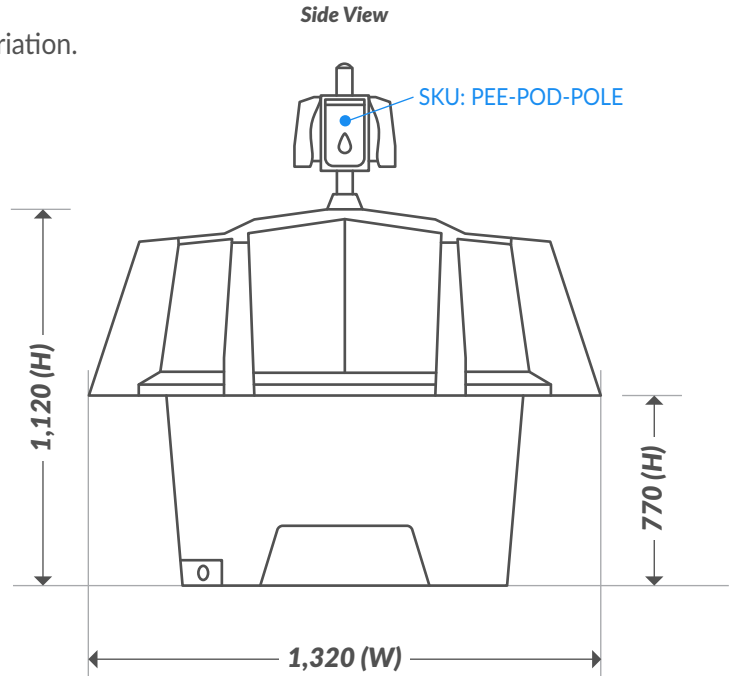
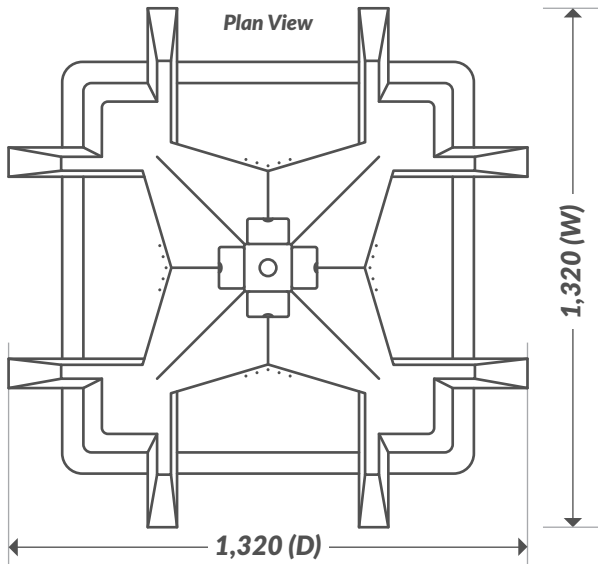




Pee Pod - Portable Urinal

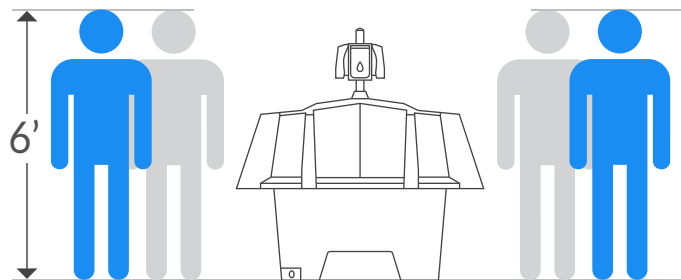
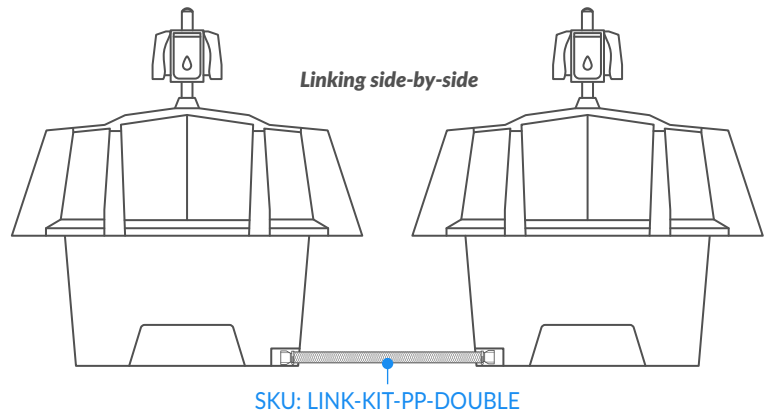
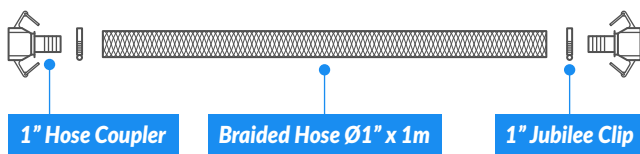
Dimensions (mm)

Please note: Pee Pod sizes quoted are subject to a +/-3% variation.



Linking Pee Pods

Pee Pods can be linked together using the optional linking kit. It's child's play to convert back to become a standalone unit.



Sizes are approximate

Accessories

- Pee Pod Pole - Hand Sanitiser Unit
- Linking Kits (link several Pee Pods together)
- Privacy Cover (for added privacy)