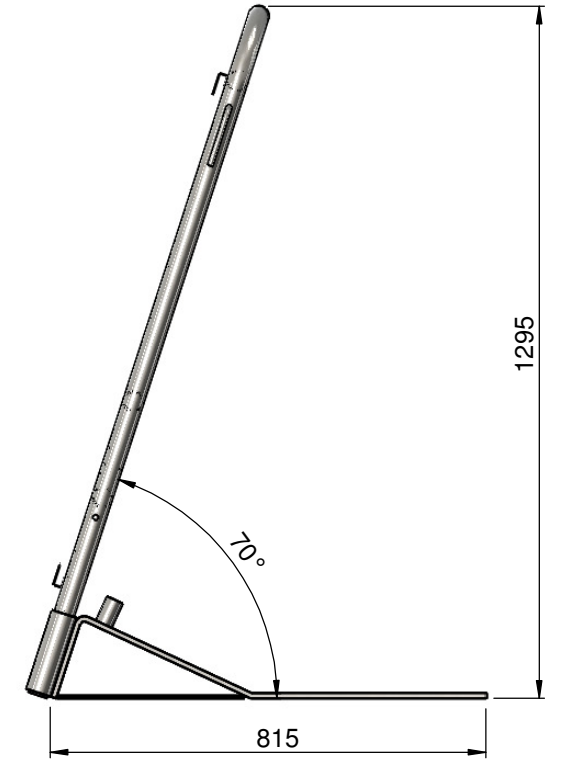
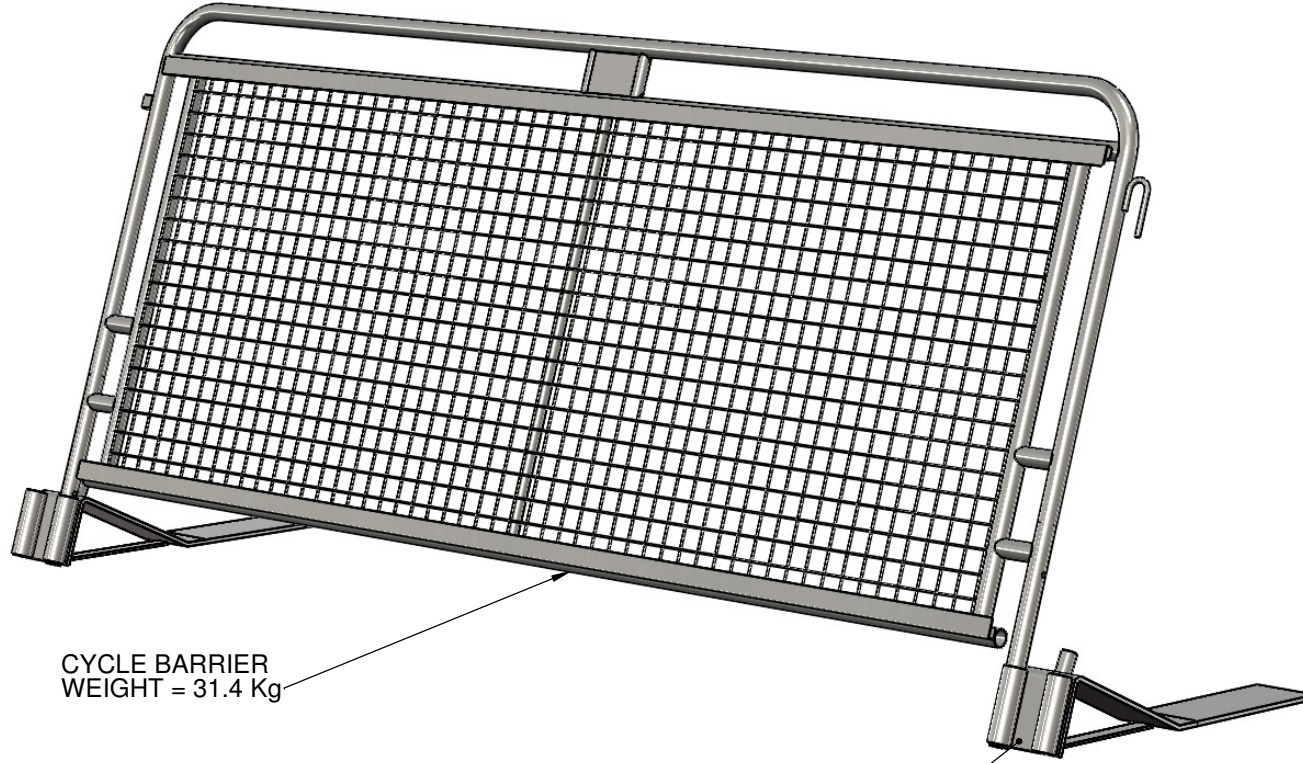


ALL DIMENSIONS IN MILLIMETRES  
REMOVE ALL SHARP EDGES

THIRD ANGLE PROJECTION  
DO NOT SCALE DRAWING




CYCLE BARRIER  
WEIGHT = 31.4 Kg

CYCLE BARRIER FOOT  
WEIGHT = 12.6 Kg

1	31/10/14	ISSUED FOR MANUFACTURE	GC		
0	3/7/14	ISSUED FOR MANUFACTURE	GC		
REV	DATE	DESCRIPTION	DRN	CHKD	APPR

TOLERANCES - UNLESS STATED OTHERWISE	
UNTOLERANCED DIMENSIONS	+/- 2mm
CUTTING LENGTHS	+/- 2mm
FABRICATION	
UP TO 300mm	+/- 1mm
UP TO 1000mm	+/- 2mm
1001mm & ABOVE	+/- 3mm
ANGULAR	+/- 1°
MACHINING	+/- 0.2mm
GAUGE	+/- 10%
WEIGHT	+/- 10% (DUE TO MATERIAL PROPERTIES & TOLERANCES)

TITLE: <b>CYCLE BARRIER ASSEMBLY</b>			
NAME	SIGNATURE	DATE	MATERIAL:
G. CRICK		3/7/14	CARBON STEEL
CHK'D			
FINISH: <b>NONE</b>			



NON-MECHANICAL PLANT

Drw / Stockcode No. **02054231 - GA1** Revision **1**

THE COMPANY RETAIN THE RIGHT TO PERIODICALLY ALTER INFORMATION WITHIN THIS DRAWING SHEET AND WILL ATTEMPT TO NOTIFY ALL PARTIES CONCERNED OF ANY CHANGES AND THE INFORMATION ON THIS SHEET SHOULD NOT BE REPRODUCED WITHOUT THEIR WRITTEN CONSENT.