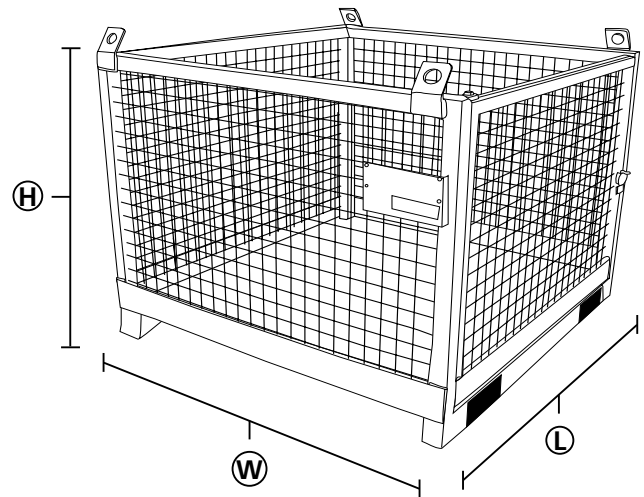


PRODUCT CODE: CA118

PRODUCT DESCRIPTION: GOODS CAGE

PRIMARY FUNCTION: FOR THE TRANSPORTATION OF MATERIALS



A safe, convenient method of transporting materials to and from high or low level. Sturdy construction with front gate for easy loading and 1M high full mesh for security. Fitted with four fully tested lifting lugs. Fork pockets are fitted as standard.

HWLE = Height with lifting eyes.

H mm	HWLE mm	L mm	W mm	Wt. Kg	WWL Kg
1005	1080	1275	1250	160	1500
1030	1120	2530	1300	360	3000

POWERED BY KNOWLEDGE

DISCOVER MORE, VISIT WWW.CQEGROUP.COM

BASIC SAFETY

IMPORTANT: Read these instructions before using this equipment. If there is anything you do not understand or if you have any concerns **DO NOT** use this equipment. Contact your supervisor or Conquip for advice.

You should check that you have considered all the safety requirements for the task you are doing and that this equipment is suitable.

You must protect bystanders and the general public by preventing access to the working area.

DO NOT use this equipment if you are tired, unwell or under the influence of alcohol or drugs. If you are taking any medicine or undergoing treatment you should inform your supervisor.

You must be competent, alert and medically fit when using this equipment. If you have a medical condition, a mental or physical disability, you must seek advice from a medical professional before using this equipment.

A **RISK ASSESSMENT** must be completed by a competent person before using this equipment to control risks, produce a safe system of work and ensure safety for you, your colleagues and others.

Your risk assessment will determine the correct Personal Protective Equipment (PPE) for the task you are doing. You **MUST** use it.

Conquip recommends that you should wear:

- Suitable Clothing
- Gloves
- Hard Hat
- Protective Footwear (steel toecaps)



DO NOT wear loose clothing or jewellery and tie back long hair to avoid becoming tangled or trapped in this equipment. You **MUST** make everyone in the work area aware of what you are doing. **NO SURPRISES.**

This equipment should be operated, stored and transported upright.

Make sure you know how to use this equipment and understand all aspects of its operation in case of emergency. This equipment weighs more than 25 kg. **DO NOT** lift or manhandle without machine assistance.

This equipment must be inspected by a competent person before use and then regularly, as determined by your risk assessment or working practice. If you have any concerns about condition or suitability **DO NOT USE.**

DO NOT operate this equipment near overhead power lines.

TAKE CARE in confined spaces, near ceilings or similar hazards. This equipment was designed for vertical lifting. **DO NOT** drag, tilt or swing.

Before lifting, check that the load is balanced and stable. Keep all personnel clear of raised loads and far enough away to allow for movement caused by a shifting load.

CRUSH RISK. Keep hands and feet clear of this equipment at all times to avoid injury.

DO NOT LEAVE UNATTENDED. The operator must remain in control of this equipment whenever it is loaded.

Before lowering a load make sure that the landing zone is clear and capable of accepting the size and weight of the load.

Total weight of the equipment plus the load must not exceed 50% of the forklift WLL.

Manoeuvre loaded or raised equipment carefully. Travel and turn slowly to avoid unit becoming unstable.

Please distribute the load in this equipment evenly.

DO NOT exceed the maximum working load limit shown on the serial plate.

Before lifting, forks must be fully engaged and the security chain or heel pins **MUST BE** correctly fitted.

HEAD, HANDS & FEET must be kept clear.

Trucks used for lifting and moving this equipment must be capable of lifting the equipment and its load.

DO NOT exceed **WORKING LOAD LIMIT.**

Before operating this equipment make sure that the working area is clear of hazards, obstructions and personnel.

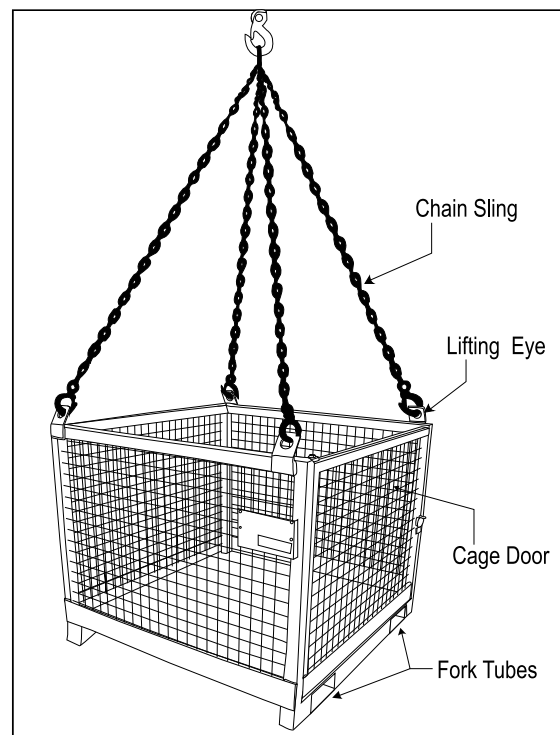
Check that the equipment has the correct load rating and dimensions for the intended load.

Before operating this equipment, check that you have enough space for you to work safely. Allow space for the equipment to move if the load shifts.

SET UP

Ensure the work area is clear of all obstructions.

Ensure adequate room around the unit for the operator to work safely.



USING WITH A FORKLIFT

Set the forklift's forks to the correct width for the cage's fork tubes. Make sure that they are equidistant from the centre.

Drive the forklift to the cage aligning the forks with the cage's tubes. Double check that all is correctly aligned, then move the forklift forward until the forks are fully inserted into the tubes. Switch off the forklift engine.

DEPENDING ON THE MODEL...

HEEL PIN: Insert the heel pins through the end of each fork

tube so that it passes behind the heel of the fork. Then retain in place with the 'R' clip.

AUTOMATIC HEEL PIN: The fork is driven into the slider, over the heel pin. Upon tilting, the pin automatically rises behind the fork heel to prevent movement.

USING WITH A CRANE AND CHAIN SLING

Attach a suitably rated four-leg chain sling to each of the four lifting eyes.

If using the 3000kg model, you **MUST** use the spreader bar with the chain sling to ensure vertical force only. If you do not have the spreader bar, **DO NOT** use the cage.

LOADING THE CAGE

Before loading the cage it must be positioned on firm level ground.

Open the cage door and proceed to load in a uniform manner ensuring the weight is evenly distributed.

DO NOT place items, which are higher than the cage's mesh side panels. If the load is too large, use a bigger goods cage.

Close and lock the cage door then cover the load with a safety net.

The cage can now be raised and moved to where it is required.

LIFTING AND LOWERING A LOAD

You can now carefully raise the cage just off the ground and check for balance and security.

If all is OK proceed to move the load to its required position. Move slowly and carefully; do not jolt the load. When in position, lower the load on to firm level ground.

RESTRICTIONS OF USE

The cage is transporting non-hazardous goods only.

DO NOT use to raise or transport personnel.

DO NOT use to raise or transport loose material such as sand or ballast.

DO NOT stand or place goods on the side panels or cage door.

DO NOT use shuttering or similar to increase the load height capacity.

FINALLY

Having lowered the cage to the ground, fully unload it, ensuring that the cage gate is securely locked shut.

If you have finished with the cage, detach it from the lifting equipment.

All that remains is to give the unit a thorough clean before return.

EQUIPMENT MAINTENANCE AND CLEANING

When not being used, store the unit in a clean condition and in a safe place where it will be protected from thieves and unauthorised users.

NOTE: FAILURE TO CLEAN THIS EQUIPMENT THOROUGHLY MAY RESULT IN A CHARGE.



WARRANTY

Conquip Engineering Group products are covered by a 12 month warranty. Conquip Engineering Group undertakes to replace or repair, free of charge, any defect which the Company considers to be due to faulty workmanship or material within 12 months of the sale date, except for:

Defects arising from neglect, misuse or unauthorised modifications.

Damage caused by abuse, misuse, dropping or other similar damage caused by or as a result of failure to follow transportation, storage, loading, cleaning or operation instructions.

Alterations, additions or repairs carried out by persons other than Conquip Engineering Group or their recognised distributors.

Transportation or shipment costs to and from Conquip Engineering Group or their recognised agents, for repair or assessment against a warranty claim, on any product or component.

Materials and/or labour costs to renew, repair or replace components due to fair wear and tear.

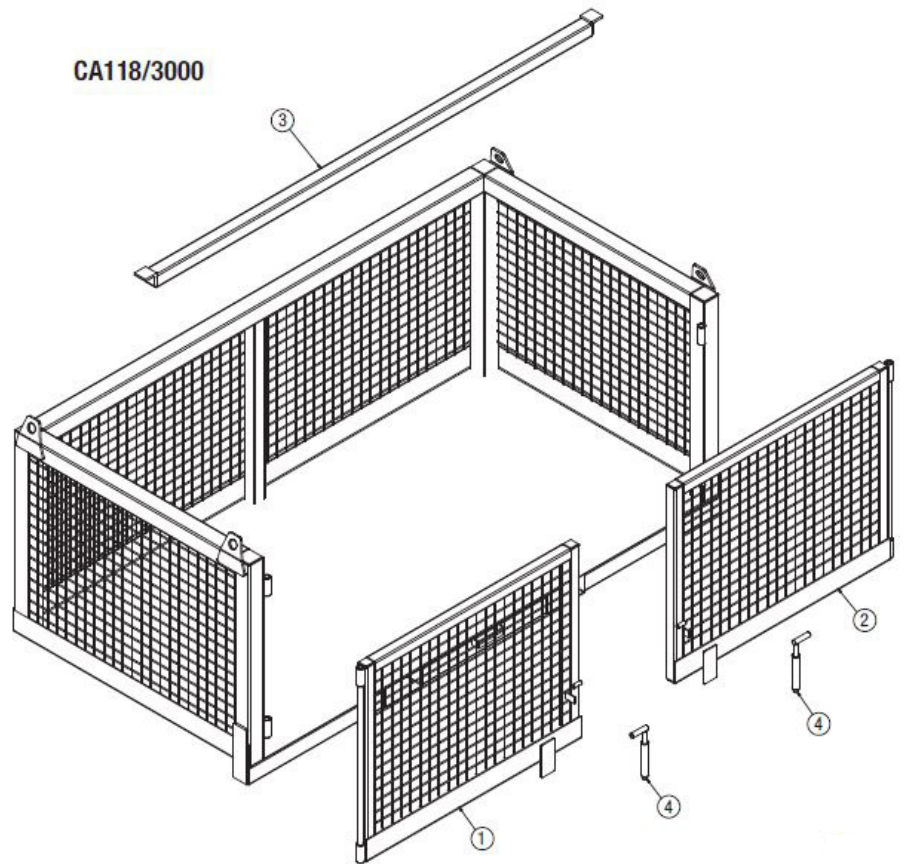
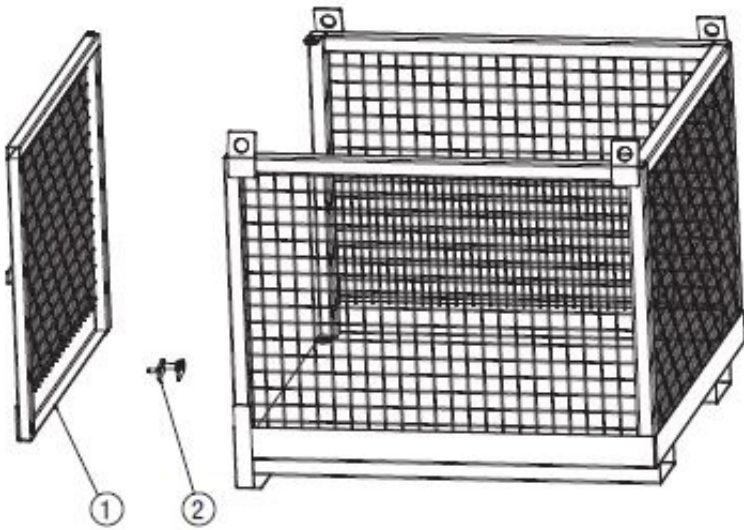
Faults arising from the use of non-standard or additional parts, or any consequential damage or wear caused by the fitting or use of such parts.

Conquip Engineering Group and/or our recognised agents, directors, employees or insurers will not be held liable for consequential or other damages, losses or expenses in connection with, or by reason of, or the inability to use the product for any purpose.

MODIFICATIONS

If any third party work, modifications or alterations are to be carried out on the product which will involve any welding, drilling or any form of cutting or distortion of materials, full written approval must be obtained from Conquip Engineering Group prior to the work being carried out.

Conquip Engineering Group operate a policy of constant improvement and reserve the right to change specifications without notice.



ITEM NO	PART NUMBER	DESCRIPTION	QTY
1	CA118-01/1500	DOOR	1
2	CA118-02/1500	DOOR CATCH	1
1	CA118-01/0300	DOOR LEFT HAND	1
2	CA118-02/3000	DOOR RIGHT HAND	1
3	CA118-03/3000	SPREADER BAR	1
4	CA118-04/3000	DOOR BOLT	2

© 2014 Conquip Engineering Group

TO ORDER CALL 0845 520 1101



CONQUIP ENGINEERING GROUP | WATERBROOK ESTATE, ALTON, HANTS, GU34 2UD