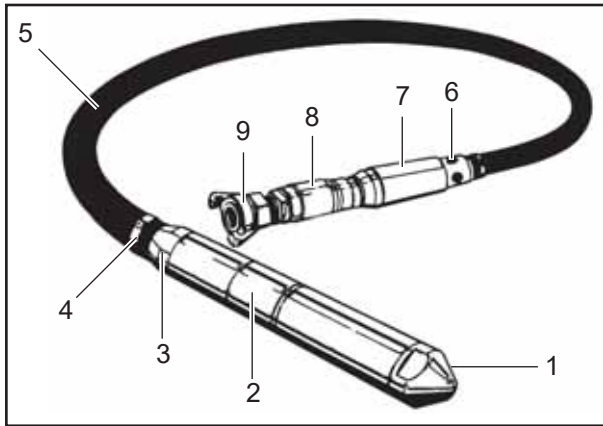


# Machine Description



1. Nose Cap.
2. Housing
3. Rear Body
4. Hose Clip
5. Hose
6. Exhaust
7. Lubricator Complete
8. Handle Assembly (Steel)
9. Coupling.

# Technical Data



Model	BGP 27	BGP 37	BGP 47	BGP 57	BGP 67	BGP 77	BGP 87
Head Diameter (mm)	28	35	45	55	65	75	85
Head Length (mm)	253	280	320	341	352	391	423
Hose Length (mtr)	4.0	4.0	4.0	4.0	4.0	4.0	4.0
Weight (Kg)	6.0	6.5	8.0	11.5	12.0	17.5	19.0
Consumption (ltr/min)	504	608	736	820	1018	1218	1600
Consumption (CFM)	17.8	21.5	26.0	29.0	36.0	43.0	56.5
Frequency (RPM)	18000	18000	17000	17000	18000	18000	17000
Amplitude in Air (mm)	1.0	1.4	1.8	2.5	2.5	1.9	2.1
Centrifugal Force (N)	800	1924	3500	6050	9301	14851	27730
Centrifugal Force (Kg)	81	196	357	617	948	1513	2826
<sup>(1)</sup> Weighted Vib Reading (m/s <sup>2</sup> )	3.35	1.14	5.26	6.81	5.78	8.41	9.48
Output maximum (m <sup>2</sup> /hr)	3	10	16	25	28	32	42
Air Pressure (p.s.i.)	80 - 100						
Radius of Effectiveness (mm)	140	200	250	380	440	500	550
Sound Power Level dB(A)	101.3	107.2	113	109	113	112.1	109

<sup>(1)</sup> This is the weighted vibration reading taken 1 metre from the poker head.

# Environment



## Safe Disposal.



Instructions for the protection of the environment. The machine contains valuable materials. Take the discarded apparatus and accessories to the relevant recycling facilities.

Component	Material
Couplings	Steel
Valve And Oiler	Aluminium
Tube Inner	Polyethylene
Outer Hose	Rubber
Various Parts	Aluminium and Steel
Seals / O Rings	Rubber / Polymeric compounds